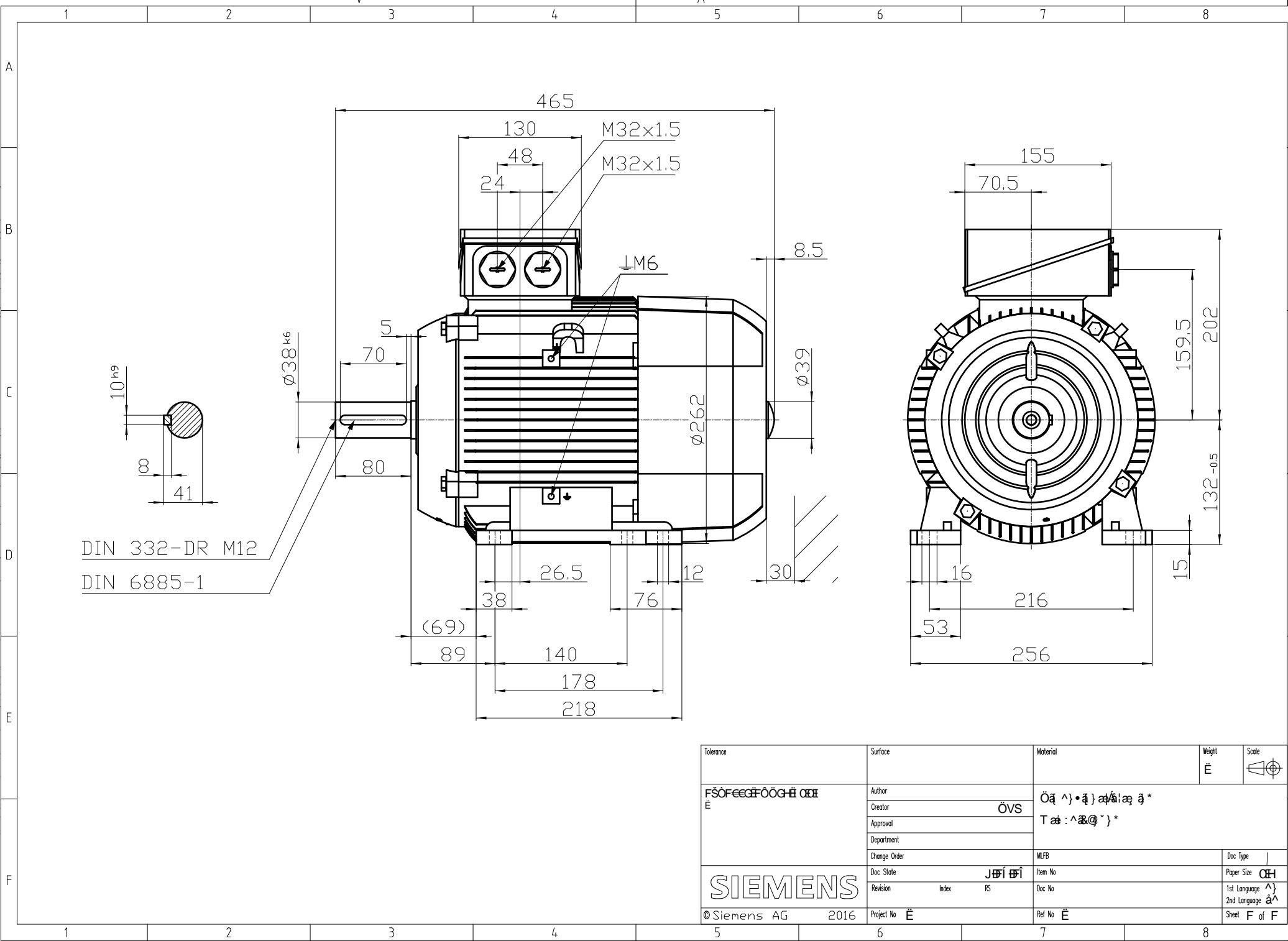


刀锋雷...
 所用文...
 使用...
 刀锋雷...
 所用文...
 使用...
 刀锋雷...
 所用文...
 使用...
 刀锋雷...
 所用文...
 使用...



Tolerance	Surface	Material	Weight	Scale
F50			E	
ÖS	Author Creator Approval	Material MFB		
SIEMENS	Department Change Order Doc State Revision	Item No Doc No		
© Siemens AG 2016	Index RS			
			Doc Type Paper Size 1st Language 2nd Language	
			Sheet F of F	